

Ideal for Renewables!



# Inline Fuse Kits

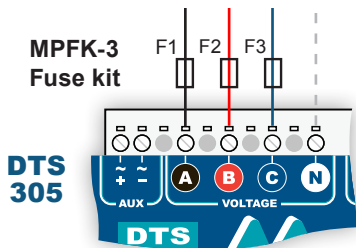
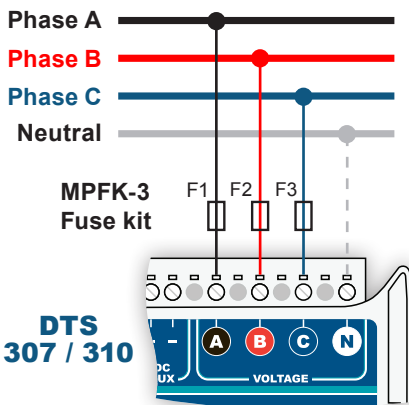
Use with the DTS 307, DTS 310 and DTS 305 AC Submeters

## FEATURES

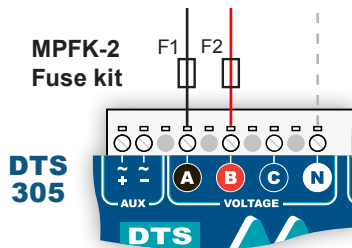
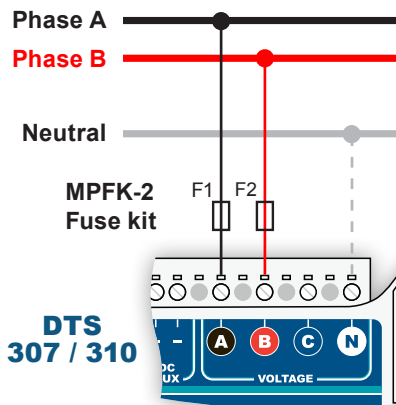
- Provides fuse protection for any AC sub-meter
- Suitable for 208V-480V systems (600V rated)
- Quick installation (in-line design)
- 3 ft cable length (other lengths available on request)

## CONFIGURATIONS\*

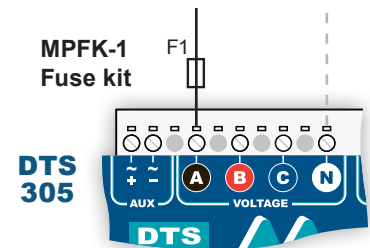
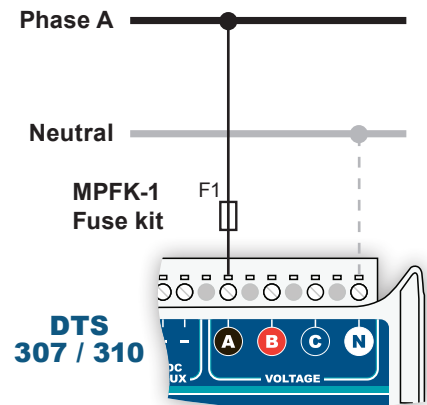
### 3 Phase 3/4W MPFK-3



### 1 Phase 3W MPFK-2



### 1 Phase 2W MPFK-1



## ORDERING INFORMATION

Part #	# of fuses	Description
MPFK-3	3x	Inline 2A 600V rated fuse kit with 3ft cable
MPFK-2	2x	
MPFK-1	1x	



Distributor:

Call Toll Free: 877-777-6567  
 Fax: 425-799-4780  
 Email: [info@measurlogic.com](mailto:info@measurlogic.com)

\* Drawings are for illustrative purposes only  
 Technical details subject to change

17R1

MEASURLOGIC

[www.measurlogic.com](http://www.measurlogic.com)